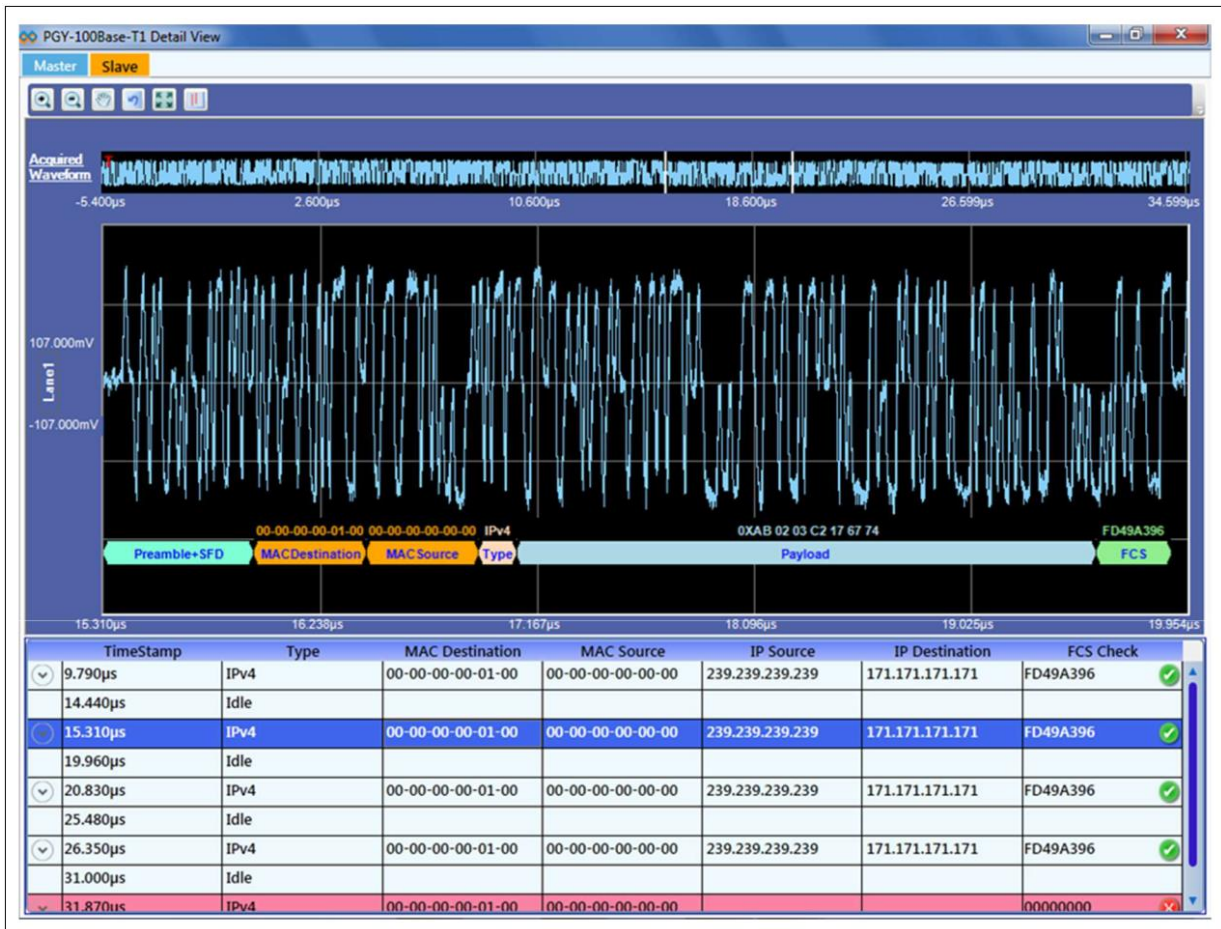


PGY-100BaseT1 100BaseT1 Protocol Decode Software

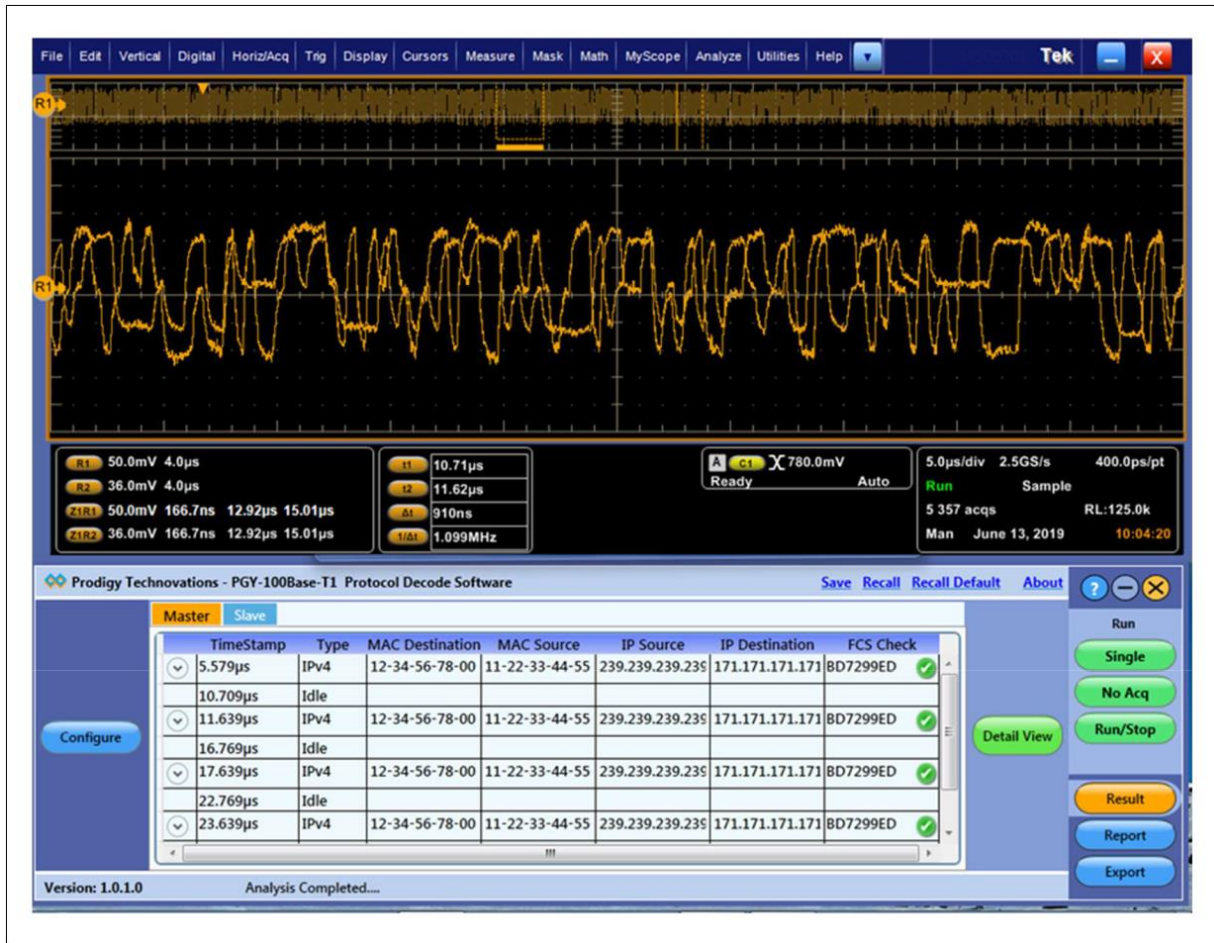


100BaseT1 Protocol Decode Software

100BaseT1 is emerging as key interface for some of the ECUs in automotive application. Manually decoding the 100BaseT1 interface is challenging by simply looking at the waveform due to the complexity of 100baseT1 waveform. By using generally available directional coupler user can separate the Master and Slave traffic. User can now feed the output of directional coupler to Tektronix Oscilloscope for time domain view. PGY-100 BaseT1 protocol decode software runs in Tektronix oscilloscope easily decodes PAM3 encoded 100 BaseT1 signal. This enables the engineers to quickly understand the protocol activity between the Master and Slave ECU.

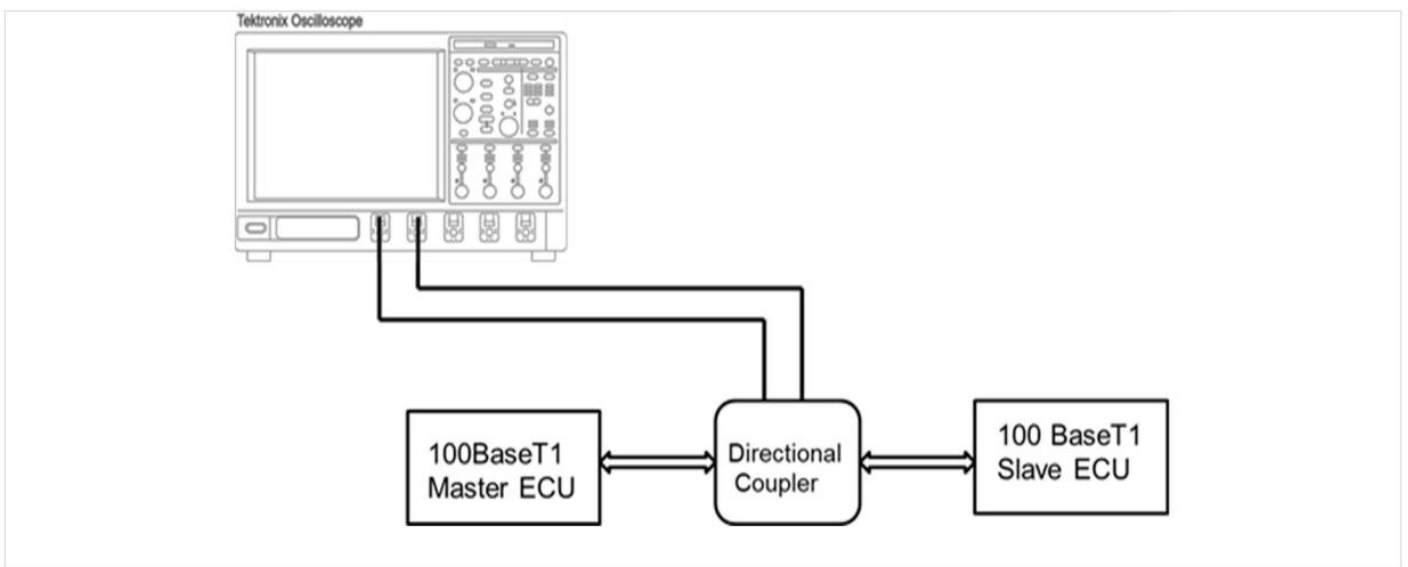
Features:

- Decodes the PAM3 encoded 100baseT1 Signals
- Decodes Send_N mode packets without any training sequence
- Validated FCS and reports error packets in red color
- Displays the time stamp, packet type, IP source and Destination address, decoding of the payload
- Detail view correlates the decoded packets with waveform using Bus Diagram
- Separately display the Master and Slave packets
- Export the decoded data CSV or TXT file format
- Report generation



Detail View Correlates Waveform

This solution helps in debugging the protocol layer issues and correlating it to physical layer resulting reduction in debugging time.



Typical 100BaseT1 Protocol Decode Test Setup

Tektronix Oscilloscopes Supported

- DPO/MSO5000 series
- DPO7000 series
- DPO/MSO/DSA 70000 series
- MSO5/6 series

with bandwidth 500MHz and above and standard RL.

Probes: Standard probes

Accessories: Needs a directional coupler which can handle 100Base-T1 signals.

Ordering Information:

PGY-100BaseT1 100BaseT1 Protocol Decode Software

(shipment includes CD with PGY-100BaseT1 Protocol Decode Software)

Contact Information

Address:	Prodigy Technovations Pvt Ltd 294, 7 th Cross, 7 th main, BTM 2 nd Stage, Bengaluru – 560076. Karnataka India.
Website:	www.prodigytechno.com
Technical Support:	contact@prodigytechno.com
Phone:	+91-80-42126100

About Prodigy Technovations Pvt Ltd

Technovations Pvt Ltd (www.prodigytechno.com) is a leading global technology provider of Protocol Decode, and Physical layer testing solutions on test and measurement equipment. The company's ongoing efforts include successful implementation of innovative and comprehensive protocol decode and physical Layer testing solutions that span the serial data, telecommunications, automotive, and defense electronics sectors worldwide.